

|           |  |
|-----------|--|
| PROJECT   |  |
| TYPE      |  |
| SPECIFIER |  |
| QUANTITY  |  |
| DATE      |  |

## IDAHO 40 TRIMLESS

### A35664-

|             |         |             |           |
|-------------|---------|-------------|-----------|
| base number | LED     | Color       | Ceiling   |
|             | Dimming | Temperature | Thickness |

- To build a product code in our configurator select the specify button on the base model # product page
- To build a manual product code on this datasheet choose from the options listed below in blue font and add the suffix to the base model #

#### GENERAL

|                            |
|----------------------------|
| Series: Idaho              |
| Subseries: Idaho 40        |
| Brand: Prolicht            |
| Division: Architectural    |
| Mounting Type: Trimless    |
| Mounting Location: Ceiling |
| Subcategory: Profile       |

#### PHYSICAL

|   |
|---|
| Shape: Rectangle  |
| Length (mm): 880  |
| Length (in): 34 <sup>5</sup> / <sub>8</sub>               |
| Width (mm): 42  |
| Width (in): 1 <sup>5</sup> / <sub>8</sub>                 |
| Height (mm): 97   |
| Height (in): 3 <sup>13</sup> / <sub>16</sub>              |
| Ceiling Thickness (mm): 10 / 12.5 / 15                    |
| Ceiling Thickness (in): 3/8 or 1/2 or 9/16                |
| Min. Recessing Depth (mm): 135                            |
| Min. Recessing Depth (in): 5 <sup>5</sup> / <sub>16</sub> |
| Light Distribution: Direct                                |
| Weight (kg): 2.477  |
| Weight (lbs): 5.48  |
| Diffuser: PMMA - Opal                                     |
| Fixture Material: Aluminum                                |
| Cut-out Measurements: 888mm / 34 15/16" x 55mm / 2 3/16"  |
| Upon Request: Unique Sizes Unique Ceiling Thickness       |

#### ELECTRICAL

|  |
|--|
| Lamp Type: LED (Zhaga Standard)                                    |
| Input Wattage (W): 14  |
| Total Output Wattage (W): 12                                       |
| Dimming: Non-Dimming / Phase Dimming (120Vac only) / 0-10V Dimming |
| Driver Included: Yes   |
| Driver Location: Integrated  |
| Driver Type: Constant Current - 120 / 277Vac                       |
| Driver Class: Class 2  |
| Input Voltage (V): 120 - 277                                       |
| Constant Current (MA): 350   |

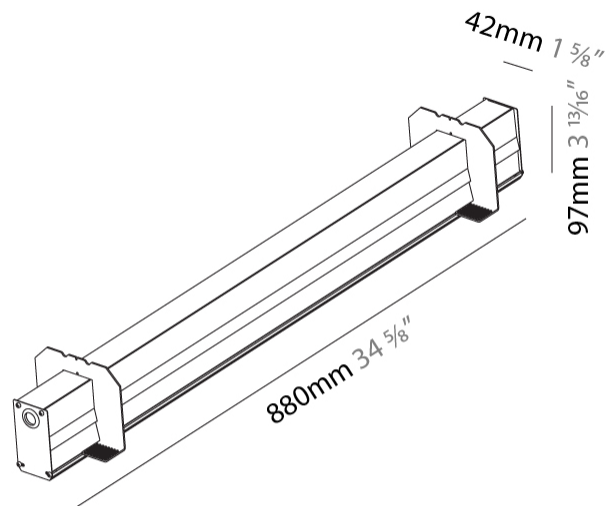
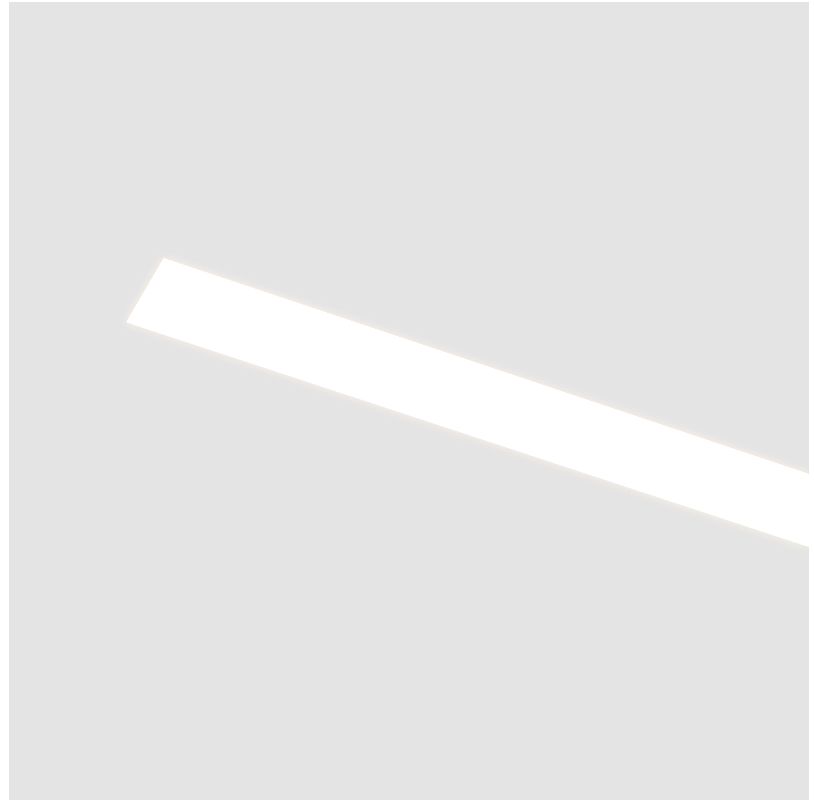
#### LED

|  |
|--|
| Color Temperature (°K): 3000 / 3500 / 4000   |
| Max. Delivered Lumen (lm): 730 / 755 / 770   |
| CRI: >80 CRI   |
| Lamp Life (hrs): 50000   |
| Upon Request: Special Color Temperature RGB-W Tunable White CRI (no minimum qty) price increase + longer lead time |

#### OPTICAL

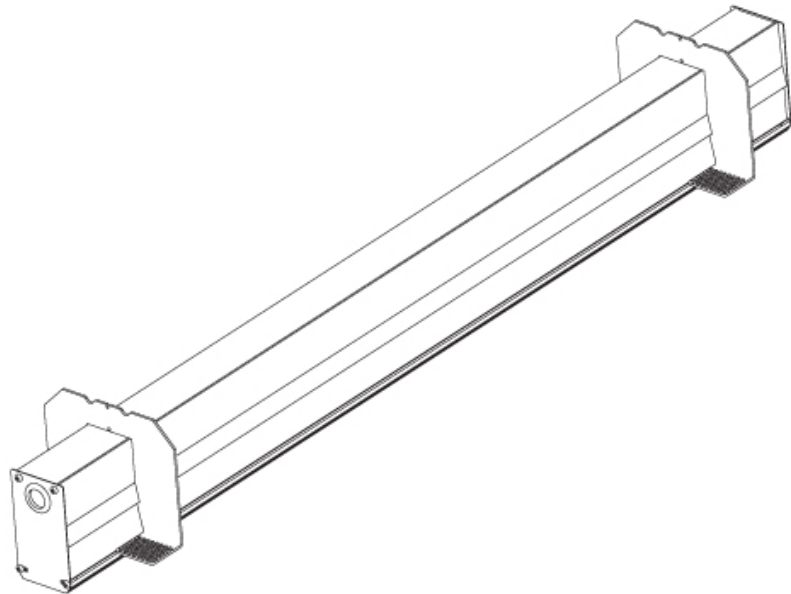
#### RATINGS AND CERTIFICATIONS

|  |
|--|
| Certified By: Certified for North American Standards |
| IP rating: IP20                                      |



|           |       |
|-----------|-------|
| PROJECT   | _____ |
| TYPE      | _____ |
| SPECIFIER | _____ |
| QUANTITY  | _____ |
| DATE      | _____ |

For Color / Finish Chart & Symbology see Appendix or product page downloadable area.



|                   |              |              |              |
|-------------------|--------------|--------------|--------------|
|                   | DP           | DV           |              |
| Dimming           | Phase        | 0-10V        |              |
| Color Temperature | 30K<br>3000K | 35K<br>3500K | 40K<br>4000K |
|                   |              |              | °K           |
| Ceiling Thickness | 10           | 12           | 15           |
|                   | 10           | 12.5         | 15           |
|                   |              |              | ↑            |

ORDER-EXAMPLE: °K ↑  
**L3XXXX-** DV 30K 10  
 0-10V 3000K 10



|           |       |
|-----------|-------|
| PROJECT   | _____ |
| TYPE      | _____ |
| SPECIFIER | _____ |
| QUANTITY  | _____ |
| DATE      | _____ |

## IDAHO 40 TRIMLESS

### A35665-

|             |         |             |           |
|-------------|---------|-------------|-----------|
| base number | LED     | Color       | Ceiling   |
|             | Dimming | Temperature | Thickness |

- To build a product code in our configurator select the specify button on the base model # product page
- To build a manual product code on this datasheet choose from the options listed below in blue font and add the suffix to the base model #

#### GENERAL

|                            |
|----------------------------|
| Series: Idaho              |
| Subseries: Idaho 40        |
| Brand: Prolicht            |
| Division: Architectural    |
| Mounting Type: Trimless    |
| Mounting Location: Ceiling |
| Subcategory: Profile       |

#### PHYSICAL

|   |
|---|
| Shape: Rectangle  |
| Length (mm): 1160   |
| Length (in): 45 <sup>11</sup> / <sub>16</sub>             |
| Width (mm): 42  |
| Width (in): 1 <sup>5</sup> / <sub>8</sub>                 |
| Height (mm): 97   |
| Height (in): 3 <sup>13</sup> / <sub>16</sub>              |
| Ceiling Thickness (mm): 10 / 12.5 / 15                    |
| Ceiling Thickness (in): 3/8 or 1/2 or 9/16                |
| Min. Recessing Depth (mm): 135                            |
| Min. Recessing Depth (in): 5 <sup>5</sup> / <sub>16</sub> |
| Light Distribution: Direct                                |
| Weight (kg): 3.244  |
| Weight (lbs): 7.14  |
| Diffuser: PMMA - Opal                                     |
| Fixture Material: Aluminum                                |
| Cut-out Measurements: 1168mm / 46" x 55mm / 2 3/16"       |
| Upon Request: Unique Sizes Unique Ceiling Thickness       |

#### ELECTRICAL

|  |
|--|
| Lamp Type: LED (Zhaga Standard)                                    |
| Input Wattage (W): 17.5  |
| Total Output Wattage (W): 15                                       |
| Dimming: Non-Dimming / Phase Dimming (120Vac only) / 0-10V Dimming |
| Driver Included: Yes   |
| Driver Location: Integrated  |
| Driver Type: Constant Current - 120 / 277Vac                       |
| Driver Class: Class 2  |
| Input Voltage (V): 120 - 277                                       |
| Constant Current (MA): 350   |

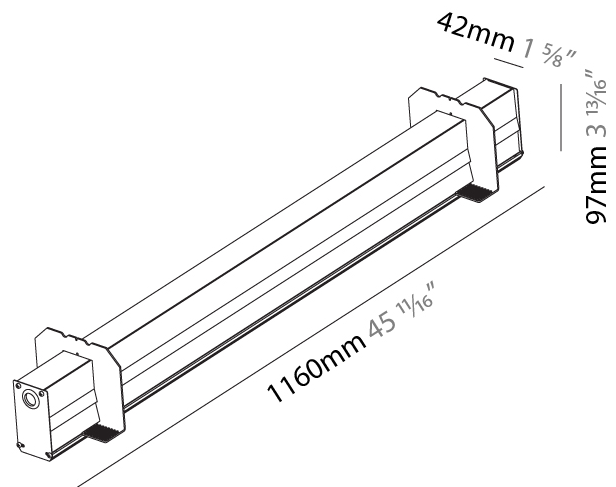
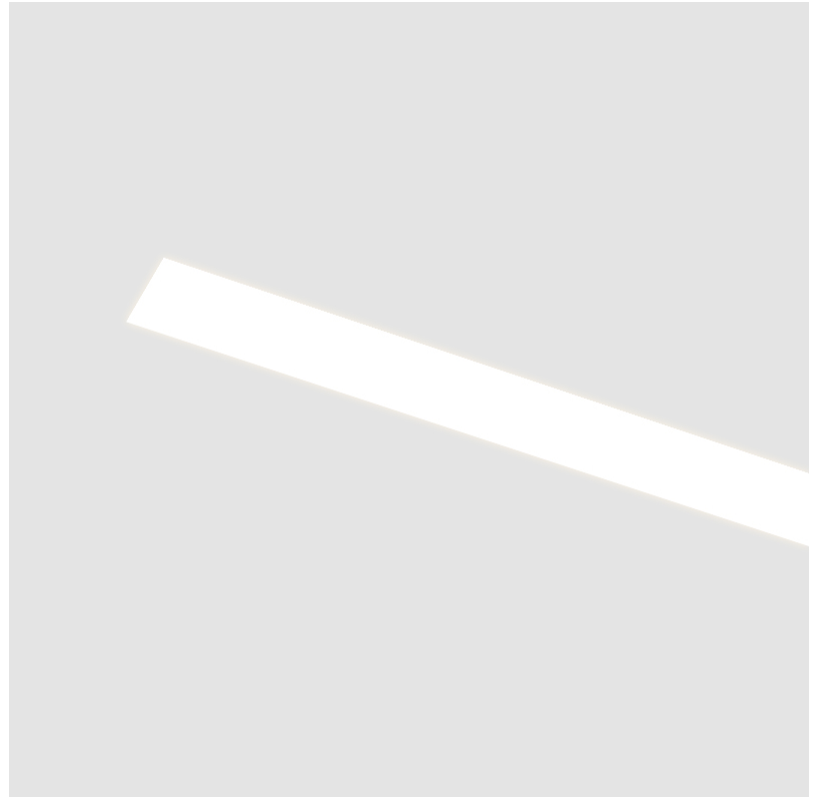
#### LED

|  |
|--|
| Color Temperature (°K): 3000 / 3500 / 4000   |
| Max. Delivered Lumen (lm): 970 / 1009 / 1030   |
| CRI: >80 CRI   |
| Lamp Life (hrs): 50000   |
| Upon Request: Special Color Temperature RGB-W Tunable White CRI (no minimum qty) price increase + longer lead time |

#### OPTICAL

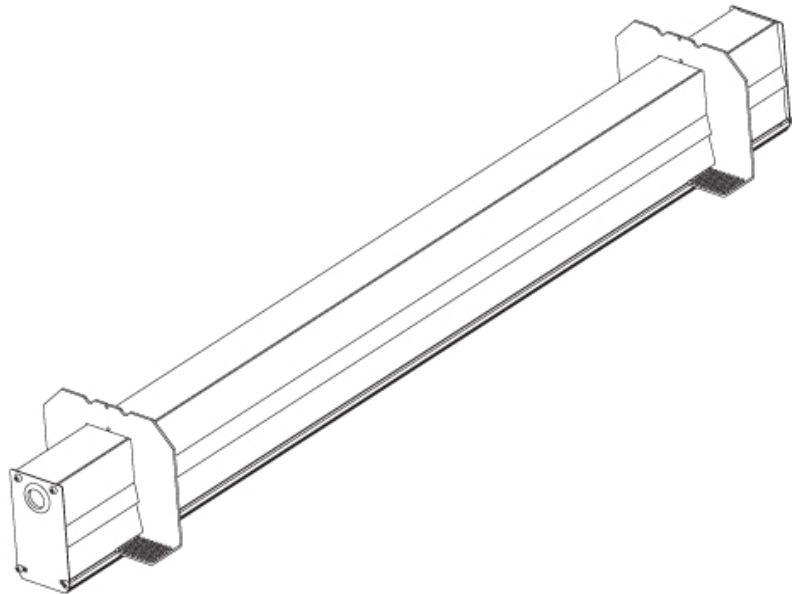
#### RATINGS AND CERTIFICATIONS

|  |
|--|
| Certified By: Certified for North American Standards |
| IP rating: IP20                                      |



|           |  |
|-----------|--|
| PROJECT   |  |
| TYPE      |  |
| SPECIFIER |  |
| QUANTITY  |  |
| DATE      |  |

For Color / Finish Chart & Symbology see Appendix or product page downloadable area.



|                   |       |       |       |
|-------------------|-------|-------|-------|
|                   | DP    | DV    |       |
| Dimming           | Phase | 0-10V |       |
| Color Temperature | 30K   | 35K   | 40K   |
|                   | 3000K | 3500K | 4000K |
|                   |       |       | °K    |
| Ceiling Thickness | 10    | 12    | 15    |
|                   | 10    | 12.5  | 15    |
|                   |       |       | ↑     |

ORDER-EXAMPLE: °K ↑  
**L3XXXX-** DV 30K 10  
 0-10V 3000K 10



|           |
|-----------|
| PROJECT   |
| TYPE      |
| SPECIFIER |
| QUANTITY  |
| DATE      |

## IDAHO 40 TRIMLESS

### A35666-

|             |         |             |           |
|-------------|---------|-------------|-----------|
| base number | LED     | Color       | Ceiling   |
|             | Dimming | Temperature | Thickness |

- To build a product code in our configurator select the specify button on the base model # product page
- To build a manual product code on this datasheet choose from the options listed below in blue font and add the suffix to the base model #

#### GENERAL

|                            |
|----------------------------|
| Series: Idaho              |
| Subseries: Idaho 40        |
| Brand: Prolicht            |
| Division: Architectural    |
| Mounting Type: Trimless    |
| Mounting Location: Ceiling |
| Subcategory: Profile       |

#### PHYSICAL

|   |
|---|
| Shape: Rectangle  |
| Length (mm): 1440   |
| Length (in): 56 <sup>11</sup> / <sub>16</sub>             |
| Width (mm): 42  |
| Width (in): 1 <sup>5</sup> / <sub>8</sub>                 |
| Height (mm): 97   |
| Height (in): 3 <sup>13</sup> / <sub>16</sub>              |
| Ceiling Thickness (mm): 10 / 12.5 / 15                    |
| Ceiling Thickness (in): 3/8 or 1/2 or 9/16                |
| Min. Recessing Depth (mm): 135                            |
| Min. Recessing Depth (in): 5 <sup>5</sup> / <sub>16</sub> |
| Light Distribution: Direct                                |
| Weight (kg): 3.866  |
| Weight (lbs): 8.51  |
| Diffuser: PMMA - Opal                                     |
| Fixture Material: Aluminum                                |
| Cut-out Measurements: 1448mm / 57" x 55mm / 2 3/16"       |
| Upon Request: Unique Sizes Unique Ceiling Thickness       |

#### ELECTRICAL

|  |
|--|
| Lamp Type: LED (Zhaga Standard)                                    |
| Input Wattage (W): 21  |
| Total Output Wattage (W): 18                                       |
| Dimming: Non-Dimming / Phase Dimming (120Vac only) / 0-10V Dimming |
| Driver Included: Yes   |
| Driver Location: Integrated  |
| Driver Type: Constant Current - 120 / 277Vac                       |
| Driver Class: Class 2  |
| Input Voltage (V): 120 - 277                                       |
| Constant Current (MA): 350   |

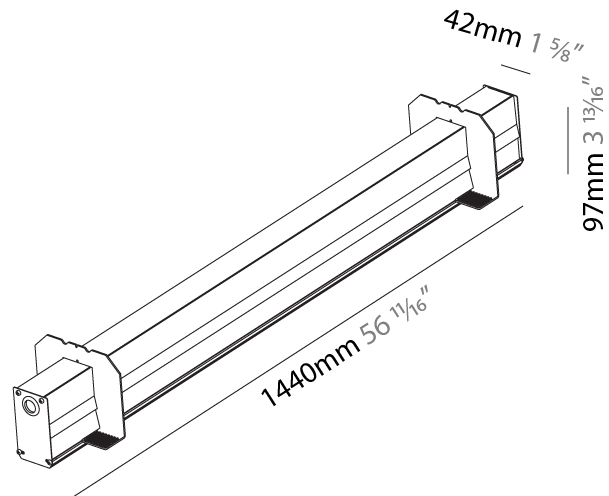
#### LED

|  |
|--|
| Color Temperature (°K): 3000 / 3500 / 4000   |
| Max. Delivered Lumen (lm): 1210 / 1254 / 1280  |
| CRI: >80 CRI   |
| Lamp Life (hrs): 50000   |
| Upon Request: Special Color Temperature RGB-W Tunable White CRI (no minimum qty) price increase + longer lead time |

#### OPTICAL

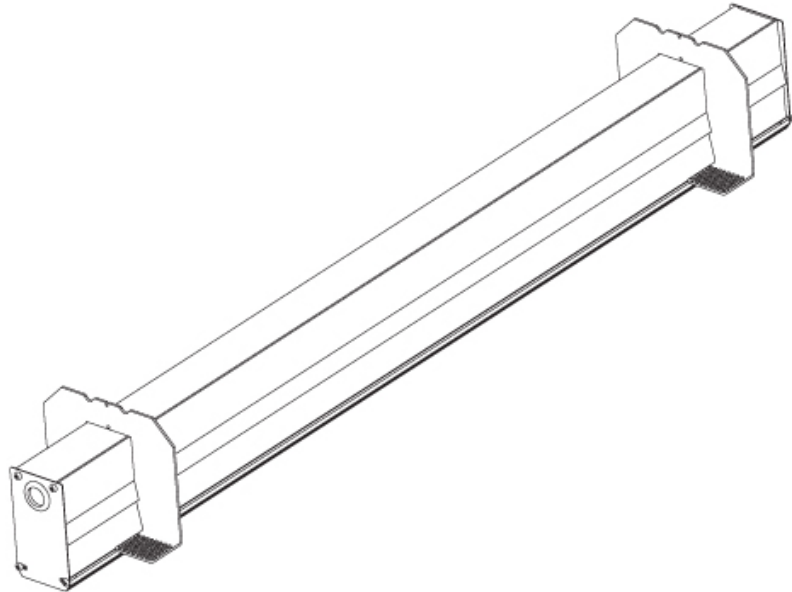
#### RATINGS AND CERTIFICATIONS

|  |
|--|
| Certified By: Certified for North American Standards |
| IP rating: IP20                                      |



|           |       |
|-----------|-------|
| PROJECT   | _____ |
| TYPE      | _____ |
| SPECIFIER | _____ |
| QUANTITY  | _____ |
| DATE      | _____ |

For Color / Finish Chart & Symbology see Appendix or product page downloadable area.



|                   |       |       |       |
|-------------------|-------|-------|-------|
|                   | DP    | DV    |       |
| Dimming           | Phase | 0-10V |       |
| Color Temperature | 30K   | 35K   | 40K   |
|                   | 3000K | 3500K | 4000K |
| Ceiling Thickness | 10    | 12    | 15    |
|                   | 10    | 12.5  | 15    |

ORDER-EXAMPLE: °K ↑  
**L3XXXX-** DV 30K 10  
 0-10V 3000K 10



|           |       |
|-----------|-------|
| PROJECT   | _____ |
| TYPE      | _____ |
| SPECIFIER | _____ |
| QUANTITY  | _____ |
| DATE      | _____ |

## IDAHO 40 TRIMLESS

### A35667-

|             |         |             |           |
|-------------|---------|-------------|-----------|
| base number | LED     | Color       | Ceiling   |
|             | Dimming | Temperature | Thickness |

- To build a product code in our configurator select the specify button on the base model # product page
- To build a manual product code on this datasheet choose from the options listed below in blue font and add the suffix to the base model #

#### GENERAL

|                            |
|----------------------------|
| Series: Idaho              |
| Subseries: Idaho 40        |
| Brand: Prolicht            |
| Division: Architectural    |
| Mounting Type: Trimless    |
| Mounting Location: Ceiling |
| Subcategory: Profile       |

#### PHYSICAL

|   |
|---|
| Shape: Rectangle  |
| Length (mm): 1720   |
| Length (in): 67 <sup>11</sup> / <sub>16</sub>             |
| Width (mm): 42  |
| Width (in): 1 <sup>5</sup> / <sub>8</sub>                 |
| Height (mm): 97   |
| Height (in): 3 <sup>13</sup> / <sub>16</sub>              |
| Ceiling Thickness (mm): 10 / 12.5 / 15                    |
| Ceiling Thickness (in): 3/8 or 1/2 or 9/16                |
| Min. Recessing Depth (mm): 135                            |
| Min. Recessing Depth (in): 5 <sup>5</sup> / <sub>16</sub> |
| Light Distribution: Direct                                |
| Weight (kg): 4.662  |
| Weight (lbs): 10.26                                       |
| Diffuser: PMMA - Opal                                     |
| Fixture Material: Aluminum                                |
| Cut-out Measurements: 1728mm / 68 1/16" x 55mm / 2 3/16"  |
| Upon Request: Unique Sizes Unique Ceiling Thickness       |

#### ELECTRICAL

|  |
|--|
| Lamp Type: LED (Zhaga Standard)                                    |
| Input Wattage (W): 24.5  |
| Total Output Wattage (W): 21                                       |
| Dimming: Non-Dimming / Phase Dimming (120Vac only) / 0-10V Dimming |
| Driver Included: Yes   |
| Driver Location: Integrated  |
| Driver Type: Constant Current - 120 / 277Vac                       |
| Driver Class: Class 2  |
| Input Voltage (V): 120 - 277                                       |
| Constant Current (MA): 350   |

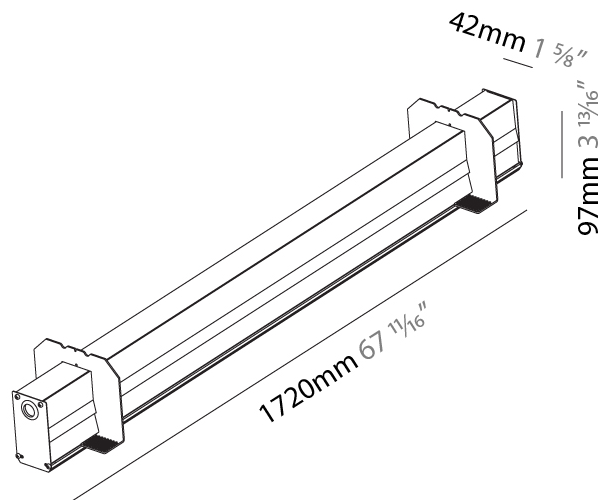
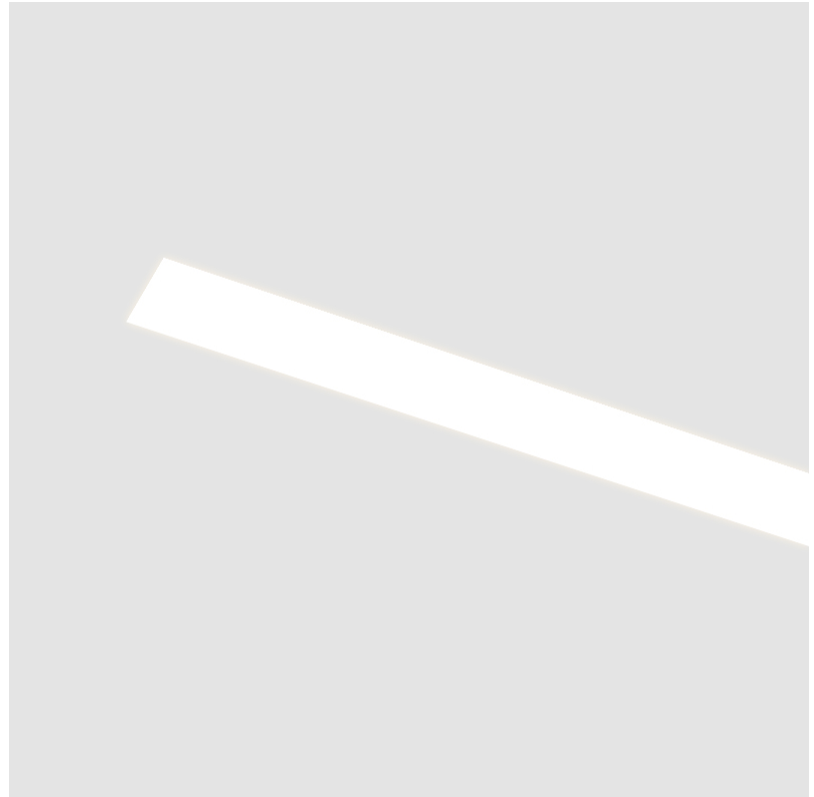
#### LED

|  |
|--|
| Color Temperature (°K): 3000 / 3500 / 4000   |
| Max. Delivered Lumen (lm): 1460 / 1509 / 1540  |
| CRI: >80 CRI   |
| Lamp Life (hrs): 50000   |
| Upon Request: Special Color Temperature RGB-W Tunable White CRI (no minimum qty) price increase + longer lead time |

#### OPTICAL

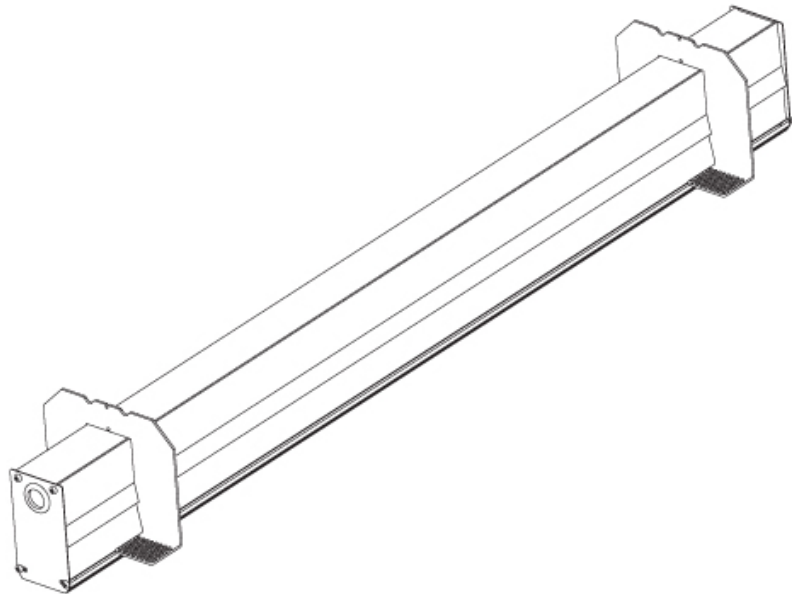
#### RATINGS AND CERTIFICATIONS

|  |
|--|
| Certified By: Certified for North American Standards |
| IP rating: IP20                                      |



|           |       |
|-----------|-------|
| PROJECT   | _____ |
| TYPE      | _____ |
| SPECIFIER | _____ |
| QUANTITY  | _____ |
| DATE      | _____ |

For Color / Finish Chart & Symbology see Appendix or product page downloadable area.



|                   |       |       |       |
|-------------------|-------|-------|-------|
|                   | DP    | DV    |       |
| Dimming           | Phase | 0-10V |       |
| Color Temperature | 30K   | 35K   | 40K   |
|                   | 3000K | 3500K | 4000K |
|                   |       |       | °K    |
| Ceiling Thickness | 10    | 12    | 15    |
|                   | 10    | 12.5  | 15    |
|                   |       |       | ↑     |

ORDER-EXAMPLE: °K ↑  
**L3XXXX-** DV 30K 10  
 0-10V 3000K 10





|           |
|-----------|
| PROJECT   |
| TYPE      |
| SPECIFIER |
| QUANTITY  |
| DATE      |

## IDAHO 40 TRIMLESS

### A35668-

|             |             |                   |                   |
|-------------|-------------|-------------------|-------------------|
| base number | LED Dimming | Color Temperature | Ceiling Thickness |
|-------------|-------------|-------------------|-------------------|

- To build a product code in our configurator select the specify button on the base model # product page
- To build a manual product code on this datasheet choose from the options listed below in blue font and add the suffix to the base model #

#### GENERAL

|                            |
|----------------------------|
| Series: Idaho              |
| Subseries: Idaho 40        |
| Brand: Prolicht            |
| Division: Architectural    |
| Mounting Type: Trimless    |
| Mounting Location: Ceiling |
| Subcategory: Profile       |

#### PHYSICAL

|  |
|--|
| Shape: Rectangle   |
| Length (mm): 2000  |
| Length (in): 78 3/4                                      |
| Width (mm): 42   |
| Width (in): 1 5/8  |
| Height (mm): 97  |
| Height (in): 3 13/16                                     |
| Ceiling Thickness (mm): 10 / 12.5 / 15                   |
| Ceiling Thickness (in): 3/8 or 1/2 or 9/16               |
| Min. Recessing Depth (mm): 135                           |
| Min. Recessing Depth (in): 5 5/16                        |
| Light Distribution: Direct                               |
| Weight (kg): 5.284                                       |
| Weight (lbs): 11.62                                      |
| Diffuser: PMMA - Opal                                    |
| Fixture Material: Aluminum                               |
| Cut-out Measurements: 2008mm / 79 1/16" x 55mm / 2 3/16" |
| Upon Request: Unique Sizes Unique Ceiling Thickness      |

#### ELECTRICAL

|  |
|--|
| Lamp Type: LED (Zhaga Standard)                                    |
| Input Wattage (W): 28  |
| Total Output Wattage (W): 24                                       |
| Dimming: Non-Dimming / Phase Dimming (120Vac only) / 0-10V Dimming |
| Driver Included: Yes   |
| Driver Location: Integrated  |
| Driver Type: Constant Current - 120 / 277Vac                       |
| Driver Class: Class 2  |
| Input Voltage (V): 120 - 277                                       |
| Constant Current (MA): 350   |

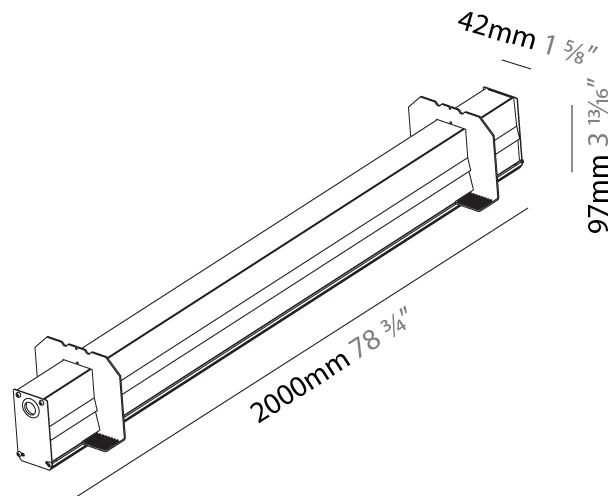
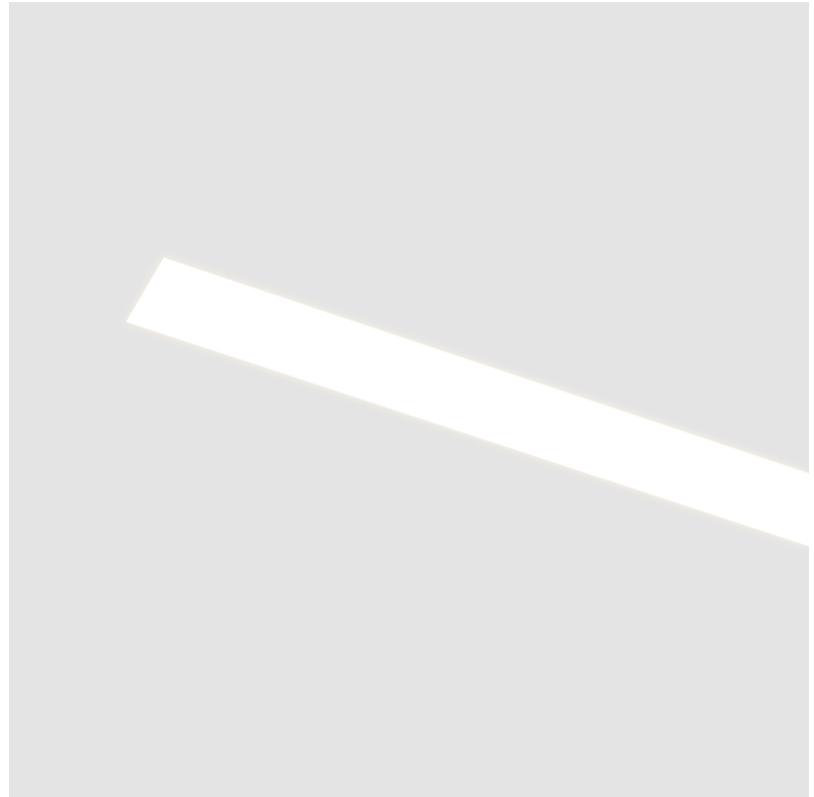
#### LED

|  |
|--|
| Color Temperature (°K): 3000 / 3500 / 4000   |
| Max. Delivered Lumen (lm): 1700 / 1764 / 1800  |
| CRI: >80 CRI   |
| Lamp Life (hrs): 50000   |
| Upon Request: Special Color Temperature RGB-W Tunable White CRI (no minimum qty) price increase + longer lead time |

#### OPTICAL

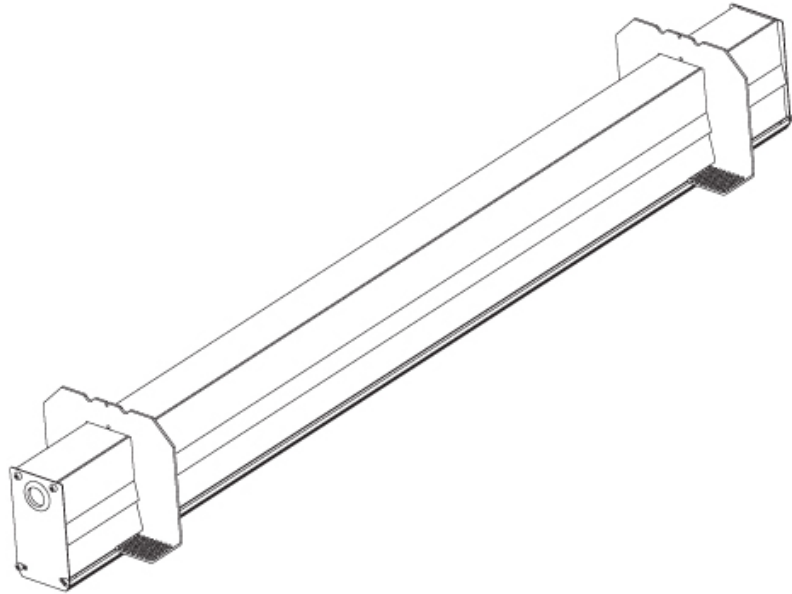
#### RATINGS AND CERTIFICATIONS

|  |
|--|
| Certified By: Certified for North American Standards |
| IP rating: IP20                                      |



|           |       |
|-----------|-------|
| PROJECT   | _____ |
| TYPE      | _____ |
| SPECIFIER | _____ |
| QUANTITY  | _____ |
| DATE      | _____ |

For Color / Finish Chart & Symbology see Appendix or product page downloadable area.



|                   |              |              |              |
|-------------------|--------------|--------------|--------------|
|                   | DP           | DV           |              |
| Dimming           | Phase        | 0-10V        |              |
| Color Temperature | 30K<br>3000K | 35K<br>3500K | 40K<br>4000K |
| Ceiling Thickness | 10<br>10     | 12<br>12.5   | 15<br>15     |

ORDER-EXAMPLE: °K ↑  
**L3XXXX-** DV 30K 10  
 0-10V 3000K 10



|           |       |
|-----------|-------|
| PROJECT   | _____ |
| TYPE      | _____ |
| SPECIFIER | _____ |
| QUANTITY  | _____ |
| DATE      | _____ |

### Fixture Finish

**Digital:** Not all screens are calibrated the same, and therefore, colors will appear differently between screens.

**Physical:** When texture is involved, there will be variations in color, character and tone within a product series and between product families.

**Gun Metal:** No Gun Metal finish is alike. It combines a mixture of transparent and black color particles which ensures a highly individual effect and no luminaire being identical.

**Champagne Cream, Copper Mine, Ancient Bronze + Jazz Gold:** These finishes have slight fading from specific powder coating production. Each luminaire will slightly vary.



|           |  |
|-----------|--|
| PROJECT   |  |
| TYPE      |  |
| SPECIFIER |  |
| QUANTITY  |  |
| DATE      |  |

### LEGEND

|   |  |  |
|---|--|--|
| floor-mounted   | pivotal  | special LED (upon request) RGB, RGBW, tunable, gold+, meat+, art+, fashion+                    |
| wall and ceiling: recessed and surface mounted            | rotating   | warm dim / natural dimming LED   |
| ceiling-mounted and wall-mounted                          | illuminate tilted  | rechargeable battery powered   |
| wall-mounted  | color of suspension cable                                    | fixture with natural vivid LED (upon request)  |
| omni-directional light distribution                       | length of suspension cable                                   | color rendering index  |
| direct light distribution                                 | reflector degree selection                                   | color temperature  |
| direct/indirect light distribution                        | super spot   | lumen (luminous flux)  |
| indirect light distribution                               | lens   | efficacy (lumens per watt)   |
| asymmetric light distribution                             | lens pack  | Unified Glare Rating (UGR) range from 5-40   |
| aura light distribution                                   | shine ring   | marine grade (AISI 316 stainless steel)  |
| round wall or ceiling cut-out                             | integrated shine ring with diffuser                          | walk on  |
| square wall or ceiling cut-out                            | free individual colors 01-29                                 | drive on   |
| the supplied jig specifies the cutout dimensions          | individual colors: 00 (free of charge), 01-25 (extra charge) | Dark Sky Compliance  |
| minimum distance (meters) lamp - object                   | luminaire part to be colored (F1)                            | Americans with Disabilities Act (less than 4" off the wall located between 27"-84" from floor) |
| recessed depth  | luminaire part to be colored (F2)                            | lamp protected against explosion   |
| ceiling thickness in mm                                   | luminaire part to be colored (F3)                            | blown glass using traditional methods by master glass blower                                   |
| ceiling thickness selection                               | luminaire part to be colored (F4)                            | acoustic material  |
| dimmable DP (phase), DV (0-10V), DD (dali), DS (step-dim) | luminaire part to be colored (F5)                            | protection class I, protection insulation  |
| included or excluded LED driver/transformer/control gear  | color of 3-circuit adaptor                                   | protection class II, protection insulation   |
| separately switchable                                     | indirect diffuser  | ETL Certified to UL and CSA Standards  |
| sensor  | direct diffuser  | UL Certified to UL and CSA Standards   |
| remote control  | ball-proof (upon request)                                    | CSA Certified to UL and CSA Standards  |
| available upon request                                    | accessory  | Certified for North American Standards   |

### IP RATING

|      |  |
|------|--|
| IP20 | protected against ingress of solid bodies greater than 12.5mm (finger)   |
| IP33 | protected against ingress of solid bodies greater than 2.5mm<br>protected against sprays of water up to 60 degrees from the vertical (rain)      |
| IP40 | protected against ingress of solid bodies greater than 1mm (wire)<br>no protection against the ingress of moisture                               |
| IP43 | protected against ingress of solid bodies greater than 1mm (wire)<br>protected against sprays of water up to 60 degrees from the vertical (rain) |
| IP44 | protected against ingress of solid bodies greater than 1mm (wire)<br>protected against water splashed from all directions                        |
| IP54 | protected against limited ingress of dust (wet rooms/covered outdoor areas)<br>protected against water splashed from all directions              |
| IP65 | protected against ingress of dust<br>protected against jets of water   |
| IP66 | protected against ingress of dust<br>protected against powerful jets of water or heavy seas  |
| IP67 | protected against ingress of dust<br>protected against immersion of water between 15cm - 1m for 30 minutes                                       |
| IP68 | protected against ingress of dust<br>protected against immersion of water under pressure for long periods  |

### IK RATING

|      |   |
|------|---|
| IK01 | protected against 0.14 joules impact (equivalent to 0.25kg mass dropped from 56mm above the surface)  |
| IK02 | protected against 0.2 joules impact (equivalent to 0.25kg mass dropped from 80mm above the surface)   |
| IK03 | protected against 0.35 joules impact (equivalent to 0.25kg mass dropped from 140mm above the surface) |
| IK04 | protected against 0.5 joules impact (equivalent to 0.25kg mass dropped from 200mm above the surface)  |
| IK05 | protected against 0.7 joules impact (equivalent to 0.25kg mass dropped from 280mm above the surface)  |
| IK06 | protected against 1 joules impact (equivalent to 0.25kg mass dropped from 400mm above the surface)    |
| IK07 | protected against 2 joules impact (equivalent to 0.5kg mass dropped from 400mm above the surface)     |
| IK08 | protected against 5 joules impact (equivalent to 1.7kg mass dropped from 300mm above the surface)     |
| IK09 | protected against 10 joules impact (equivalent to 5.0kg mass dropped from 200mm above the surface)    |
| IK10 | protected against 20 joules impact (equivalent to 5.0kg mass dropped from 400mm above the surface)    |